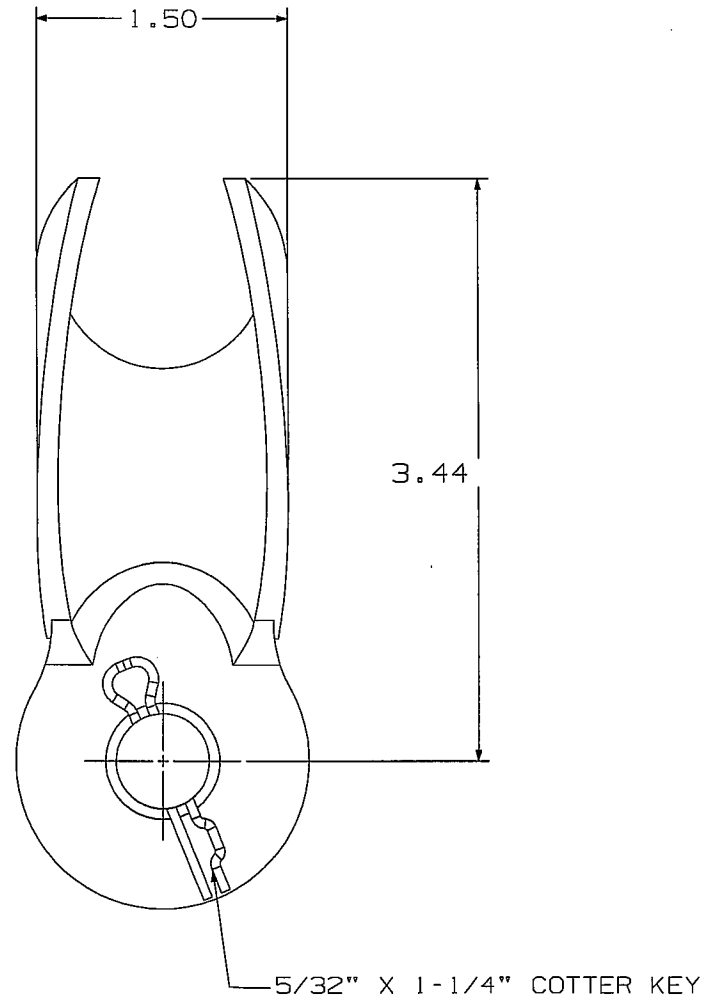
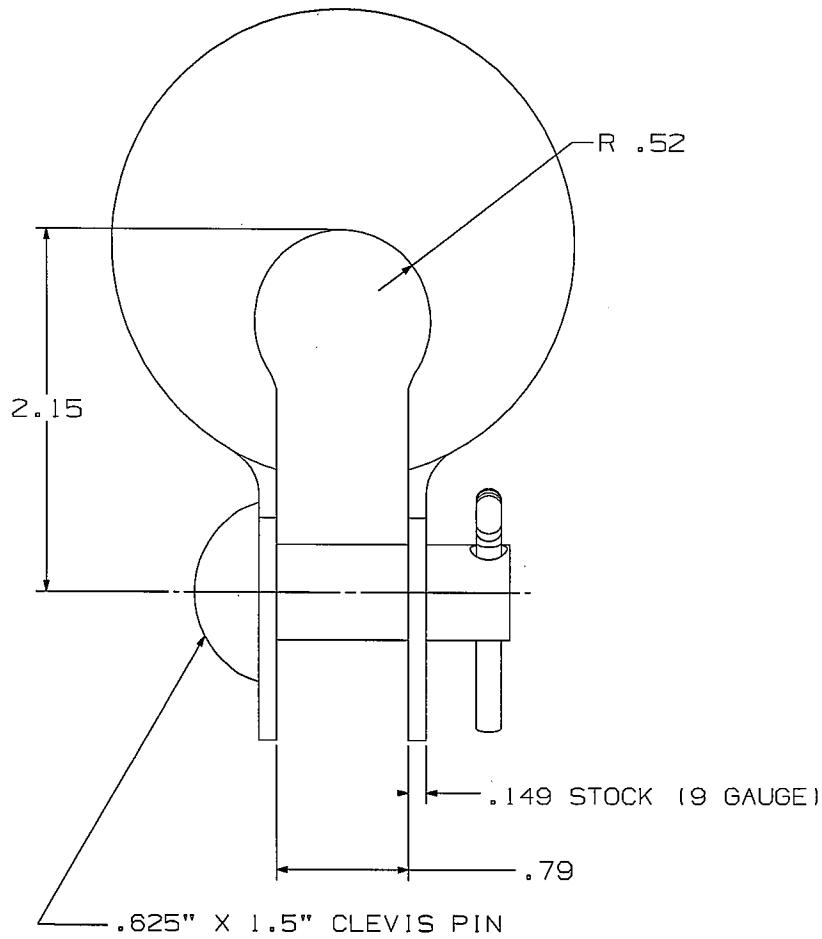


NOTES:

- 1.) ASSEMBLED COMPLETE AS SHOWN.
- 2.) MATERIAL: STEEL, HOT DIP GALVANIZED PER ASTM A153 (LATEST REVISION)



CATALOG NUMBER: PSC2070147

LATEST EC NO:		REV.	DATE	CHANGED BY	RESP ENGINEER
26533		A	05/05/08	LURKINS	KIRK
DRN BY:		DATE	TITLE:		
LURKINS		01-10-08	THIMBLE CLEVIS ASSY. C		
HUBBELL CORP SYSTEMS		CHANCE		DWG NO: SAPSC207-0147	

CONFIDENTIAL - THIS DRAWING AND ITS CONTENTS ARE CONFIDENTIAL AND THE EXCLUSIVE PROPERTY OF HUBBELL / A.B. CHANCE COMPANY. NO PUBLICATION, DISTRIBUTION OR COPIES MAY BE MADE WITHOUT WRITTEN CONSENT BY HUBBELL / A.B. CHANCE COMPANY. © 2001 HUBBELL/A.B. CHANCE. UNPUBLISHED - ALL RIGHTS RESERVED UNDER THE COPYRIGHT LAWS